

SERIES 682 | INDUSTRIAL PRESSURE TRANSMITTER

FEATURES/BENEFITS

- Weatherproof welded housing provides device protection for outdoor use or harsh environment operations
- Not affected by environmental effects such as temperature, shock, vibration, and EMI/RFI provides reliable switching for equipment
- External span and zero adjustments reduce installation and service time

APPLICATIONS

- Off-road equipment
- Compressor control
- Industrial refrigeration
- Hydraulic systems
- Industrial engines

DESCRIPTION

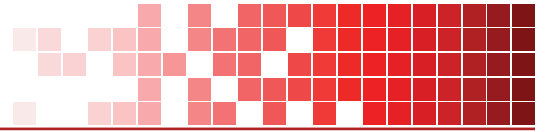
The **SERIES 682** Industrial Pressure Transmitter is designed to withstand environmental effects such as shock, vibration, temperature, and EMI/RFI. The electronics and capacitive sensor are packaged in a welded stainless steel housing and meets NEMA 4 (IP65) protection ratings.



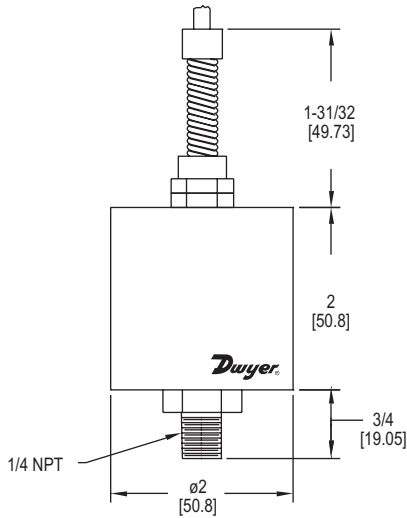
SPECIFICATIONS

Service	Compatible liquids and gases.
Wetted Parts	17-4 PH SS.
Accuracy	±0.13 % FS (includes non-linearity, hysteresis, and non-repeatability).
Temperature Limits	-40 to 260°F (-40 to 125°C) 10 to 90% RH, non-condensing.
Pressure Limit	See model chart.
Compensated Temperature Range	-4 to 176°F (-20 to 80°C).
Thermal Effect	Zero shift: 1.0% FS/100°F; Span shift: ±1.5% FS/100°F.
Power Requirements	9 to 30 VDC.
Output Signal	4 to 20 mA, 2-wire.
Zero and Span Adjustment	±0.5 mA, non-interactive.
Response Time	5 ms.
Loop Resistance	800 Ω.
Electrical Connections	2 ft (51 cm) multiconductor cable.
Process Connection	1/4" male NPT.
Weight	8 oz (227 g).
Shock	200 g operating.
Vibration	20 g 50-2000 Hz.
Agency Approval	CE.

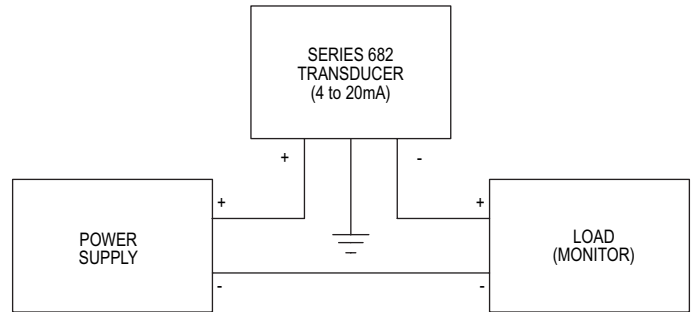




DIMENSIONS

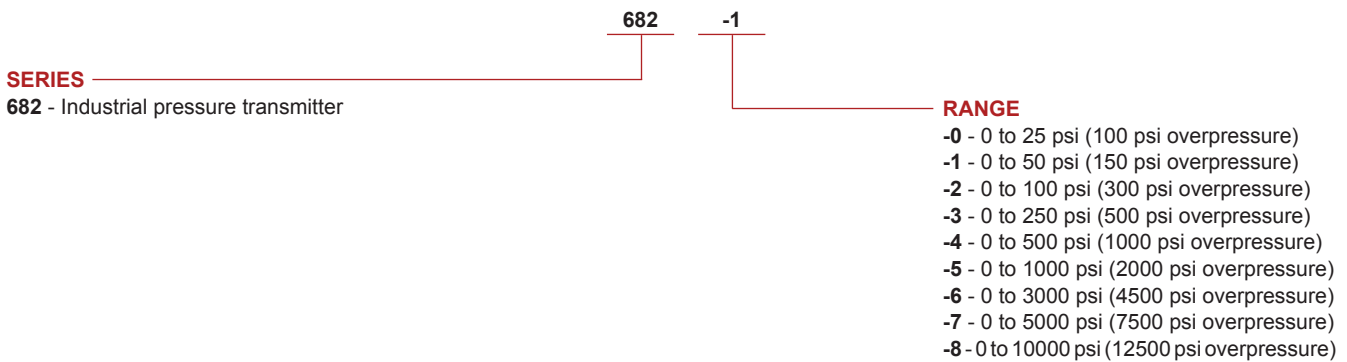


WIRING DIAGRAM



HOW TO ORDER

Use the **bold** characters from the chart below to construct a product code.



ACCESSORIES

Model	Description
NISTCAL-PT1	NIST traceable calibration certificate for pressure transmitters

Important Notice: Dwyer Instruments, Inc. reserves the right to make changes to or discontinue any product or service identified in this publication without notice. Dwyer advises its customers to obtain the latest version of the relevant information to verify, before placing any orders, that the information being relied upon is current.

